

**TARA Single-lever mixer for rinsing/Profi spray - Durabross (23kt Gold)**

33 826 888



- 235mm projection
- pivotable spout 360°
- air-enriched flow
- height of mixer 400 mm
- height up to aerator 230 mm
- single-lever mixer hole diameter 35mm
- 2x US pressure hose, 3/8"
- max. flow 5.7 l/min at 3 bar flow pressure
- lead-free
- This product can help a building meet the requirements of Green Building Rating Systems, e.g. LEED®, BREEAM®, DGNB

Single-lever mixer for combining with rinsing/Profi spray only

	Durabross (23kt Gold)	33 826 888-09 0010
	Chrome	33 826 888-00 0010
	Brushed Platinum	33 826 888-06 0010
	Platinum	33 826 888-08 0010
	Dark Chrome	33 826 888-19 0010
	Brushed Durabross (23kt Gold)	33 826 888-28 0010
	Matte Black	33 826 888-33 0010
	Brushed Champagne (22kt Gold)	33 826 888-46 0010
	Champagne (22kt Gold)	33 826 888-47 0010
	Brushed Chrome	33 826 888-93 0010
	Brushed Dark Platinum	33 826 888-99 0010

**Recommended miscellaneous**



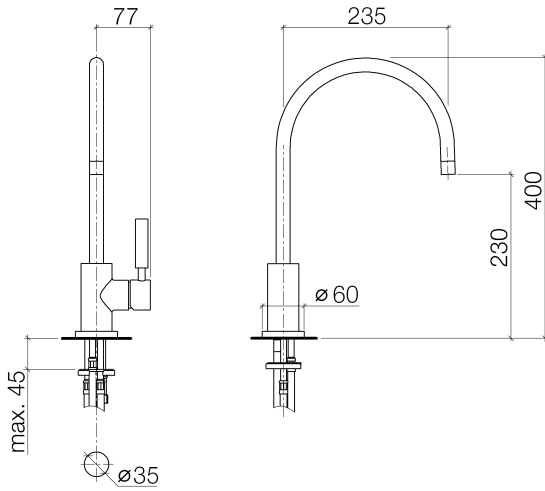
**Rinsing spray set - Durabross (23kt Gold)** 27 721 970-09



## TARA Single-lever mixer for rinsing/Profi spray - Durabronze (23kt Gold)

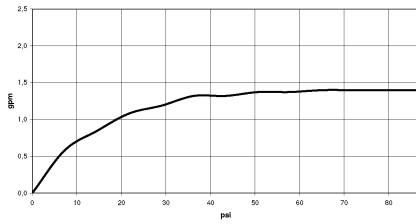
---

33 826 888



### Flow rate chart

---



### Codes & Standards

---

ADA

ASME  
A112.18.1/CSA  
B125.1

California Energy  
Commission  
(CEC)

NSF/ANSI 372

NSF/ANSI/CAN  
61



## TARA Single-lever mixer for rinsing/Profi spray - Durabrass (23kt Gold)

---

33 826 888

### Certificates

---

IAPMO\_N-4976 (2). IAPMO\_6397 (1).

## TARA Single-lever mixer for rinsing/Profi spray - Durabronz (23kt Gold)

33 826 888

Parts for other  
finishes can be found  
here: [Chrome](#)

